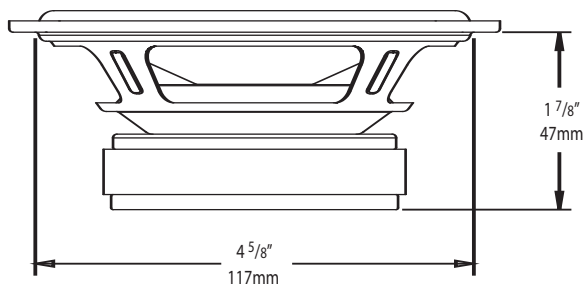


SE50 5 1/4-inch (130mm) Component Speakers

Specifications:	SE50
Nominal Size	5 1/4" (130mm)
RMS Power Handling	55w
Peak Power Handling	150w
Frequency Response (± 3 dB)	60-20kHz
Impedance	4 Ω
Sensitivity (1 Watt / 1 Meter)	92dB

#	Description	Quantity
1	Type S3 3/4" Tweeter	2
2	SE50 Crossover	2
3	SE50 Woofer	2
4	SE50 Woofer Grille	2
5	Flush-Angle Tweeter Mount	2
6	Surface-Angle Tweeter Mount	2
7	Flush Tweeter Mount	2
8	Phillips Head Screw	8
9	Woofer Spring Clip	8
10	Terminated Woofer Wire	2
11	Terminated Tweeter Wire	2
12	Flush-Angle Clip - Short	2
13	Flush-Angle Clip - Long	2
14	Flush Mount Clip (With White Dot)	4
15	M4x10mm (3/8")	2
16	M3x12mm (1/2")	2
17	M4x20mm (3/4")	8
18	#6 x 3/8" Silver Socket Head Screw	4
not shown	16/18AWG. Connector Barrel	8
not shown	Hex Key	1

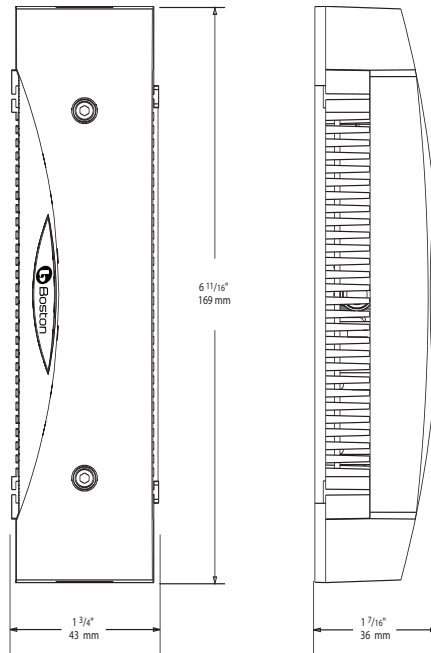
Woofer Dimensions



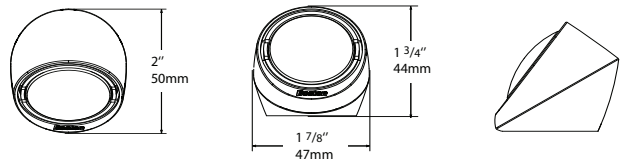
Boston Acoustics, Inc. 300 Jubilee Drive Peabody, Massachusetts 01960 U.S.A. bostonacoustics.com
© 2011 All rights reserved. Boston, Boston Acoustics, and the B/A ellipse symbol are registered trademarks of Boston Acoustics, Inc. Specifications are subject to change without notice.

142-003911-0

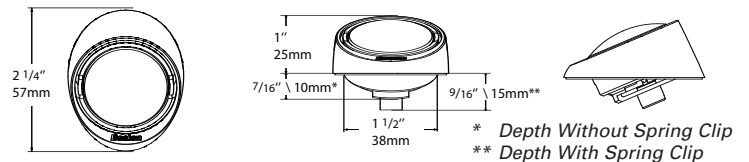
Crossover Dimensions



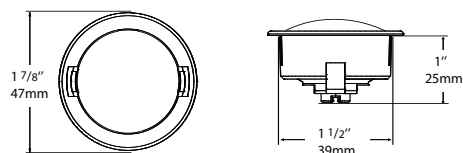
Surface-Angle Tweeter Mount Dimensions



Flush-Angle Tweeter Mount Dimensions

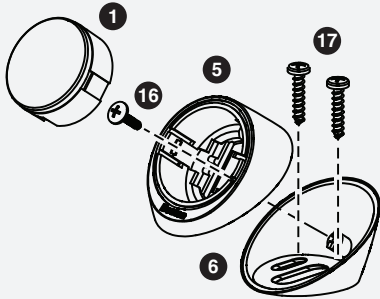


Flush Tweeter Mount Dimensions

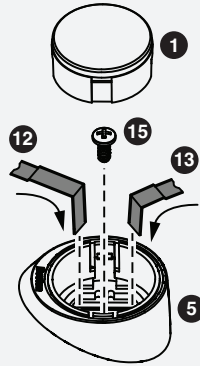


SE50 5 1/4-inch (130mm) Component Speakers

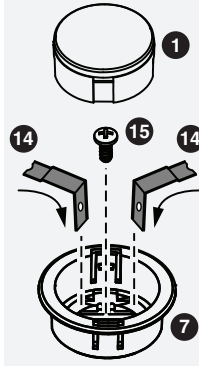
Surface-Angle Mount



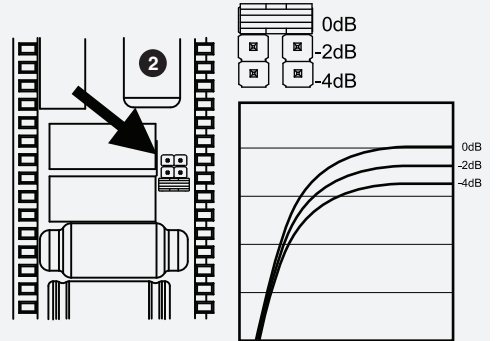
Flush-Angle Mount



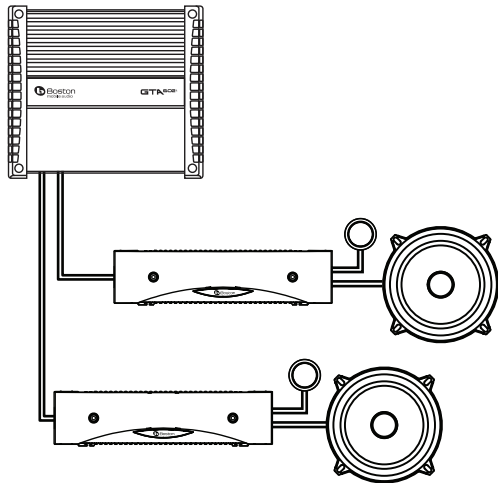
Flush Mount



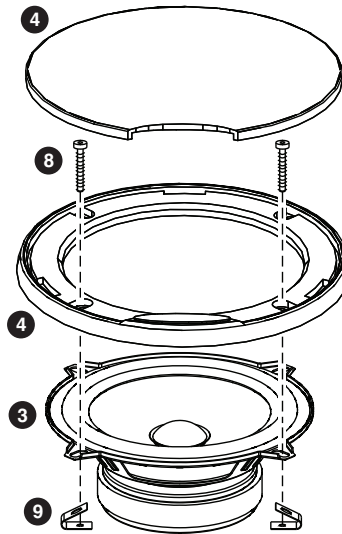
Tweeter Level Adjustment



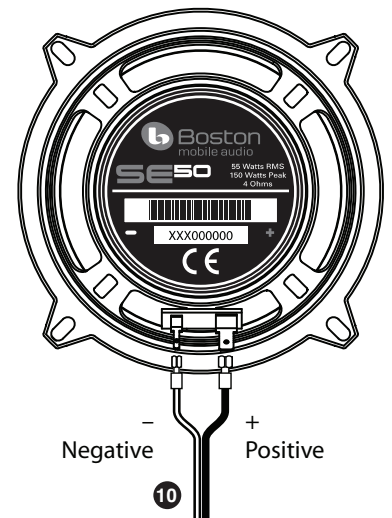
System Wiring



Grille Installation



SE50 Woofer Wiring



Connecting Crossover Cases

